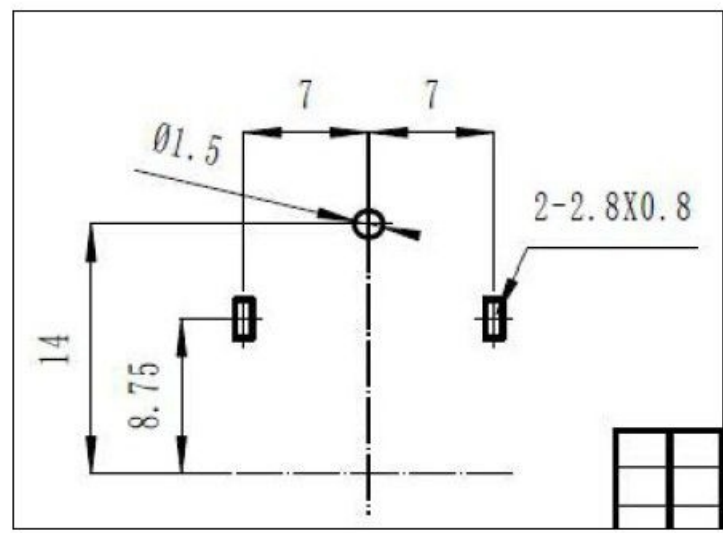
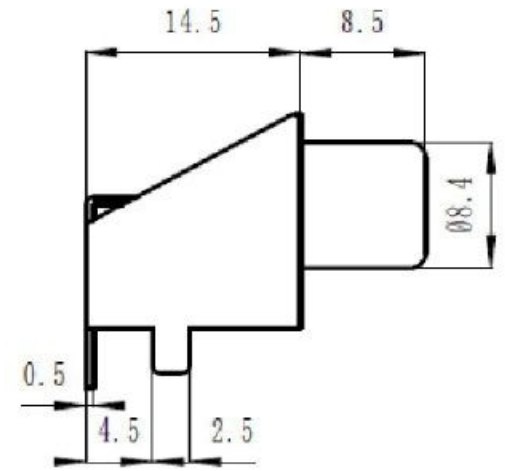
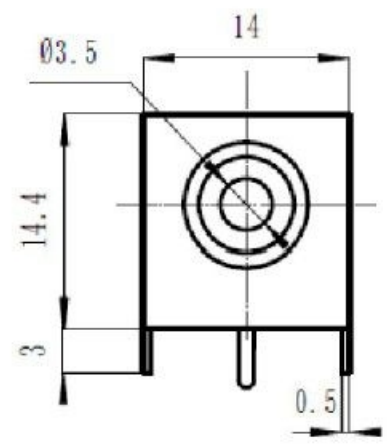


Technical parameters:
 Temperature: $-25 \sim +70^{\circ}\text{C}$
 Withstand Voltage: AC 500V
 (50Hz)min
 Rated load: DC 50V 0.5A
 Insertion and Extraction Force: $3 \sim 25\text{N}$
 Contact Resistance: $\leq 0.015 \Omega$
 Life: 10000
 Insulation Resistance: $\geq 100\text{M}\Omega$



A		ISSUE		2014.6.25	
REV	ECN NO	DESCRIPTION		DATE	
DESCRIPTION					
GENERAL TOLERANCE				CUS P/N: DR	
				DRAWING 张栾	
X.	± 0.30	X°	$\pm 2.0^{\circ}$	PART NO:	
.X	± 0.20	.X°	$\pm 1.0^{\circ}$	CJ 1 B	
.XX	± 0.10	.XX°	$\pm 0.5^{\circ}$	DRAWING NO:	
THIRD ANGLE PROJECT				SCALE	SHEET
				NONE	1/1
				UNIT	REV
				MM	A
				APPROVED	